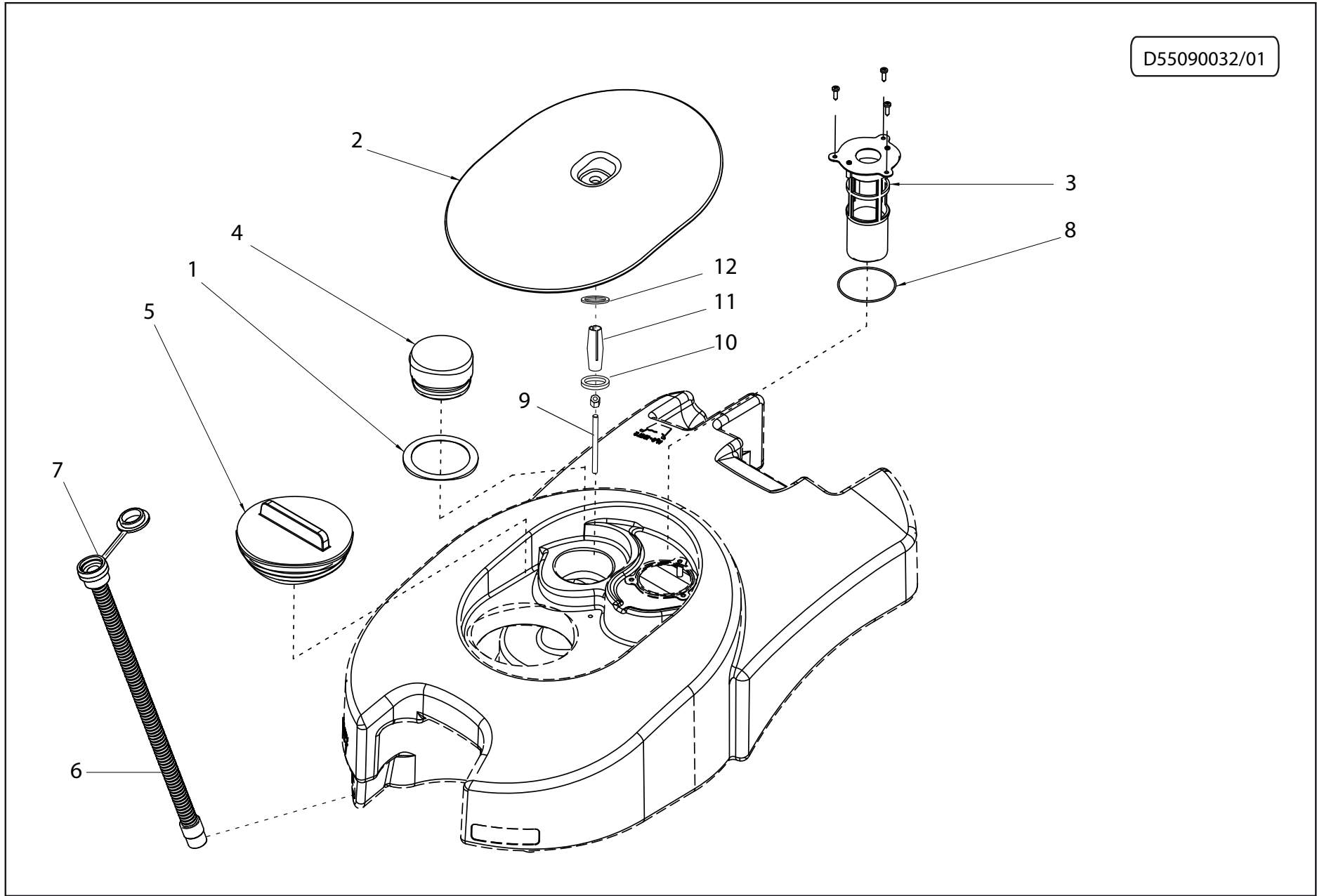


D55090032/01



GRUPPO RECUPERO FLICK/QUICK - Content filters: validity 05/04/2019

R55091447 - GRUPPO RECUPERO FLICK/QUICK

Validity: from 27/05/2008 to 31/12/2099

Pos.	Code	Substituted by	Q.ty	Purchasable	Min. Q.ty	For mainten.	Description
001	7.503.0376		1	Yes	1		STICKER FOR SUCTION MOTOR COMPARTMENT
002	5.511.1400		1	Yes	1		VACCUM COVER ASSEMBLY
003	5.511.1401		1	Yes	1		FLOAT ASSEMBLY
004	5.511.1511		1	Yes	1	ORD	KIT FILTRE
005	5.511.0203		1	Yes	1		RECOVERY TANK CAP ASSEMBLY
006	3.752.0256		1	Yes	1	EXT	EXHAUST PIPE
007	4.208.0274		1	Yes	6	EXT	DIAM.32mm CAP
008	3.200.0077		1	Yes	12		OR GASKET 64,39X1,78 NBR SH70
009	4.507.0813		1	Yes	2		THREADED BAR M6X60
010	4.507.1487		1	Yes	2		SPACER FOR COVER
011	4.508.0565		1	Yes	2		INSERT
012	4.508.1610		2	Yes	6	EXT	RING FOR COVER